

6.0mm Square Tact Switch (Vertical, TH Type)



TSF-08/09/10T-XXX

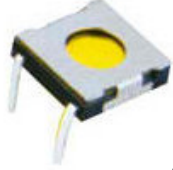
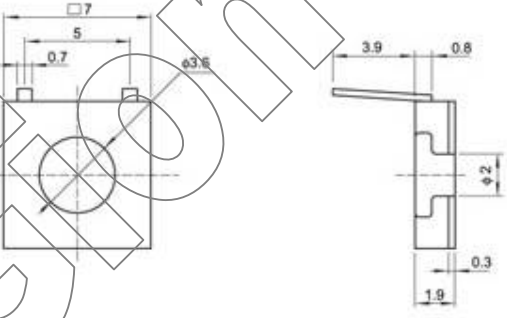
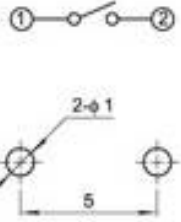
TS - Tact Switch
 F - F Serious
 08 / 09 / 10 – Type
 T - TH Type
 XXX - Action Force (gram)



SPECIFICATIONS

Mechanical Life: 100,000 cycles for 160g±50g
 50,000 cycles for 250g±50g
 Operating Force: 160g±50g, 250g±50g
 Travel: 0.25±0.1mm
 Rating: 50mA 12V DC
 Dielectric withstanding: 250V AC/minute
 Insulator resistance: ≥ 100 MΩ at 100V
 Contact resistance: ≤ 100 mΩ/Contact
 Operating temperature: -20°C ~ +70°C
 Storage temperature: -40°C ~ +85°C

Material

Base: PA66/PA6T, UL94V-0
 Contact material: Phosphor Bronze
 Contact Spring Plating: Stainless Steel/Silver Plating

Physical Picture	Outline Drawing	Circuit
 <p>TSF-08T-XXX</p>	 <p>H=1.9mm</p>	

 <p>TSF-09T-XXX</p>	<p>H=4.3-22mm</p>	
 <p>TSF-10T-XXX</p>	<p>H=4.3-22mm</p>	

GionTech